



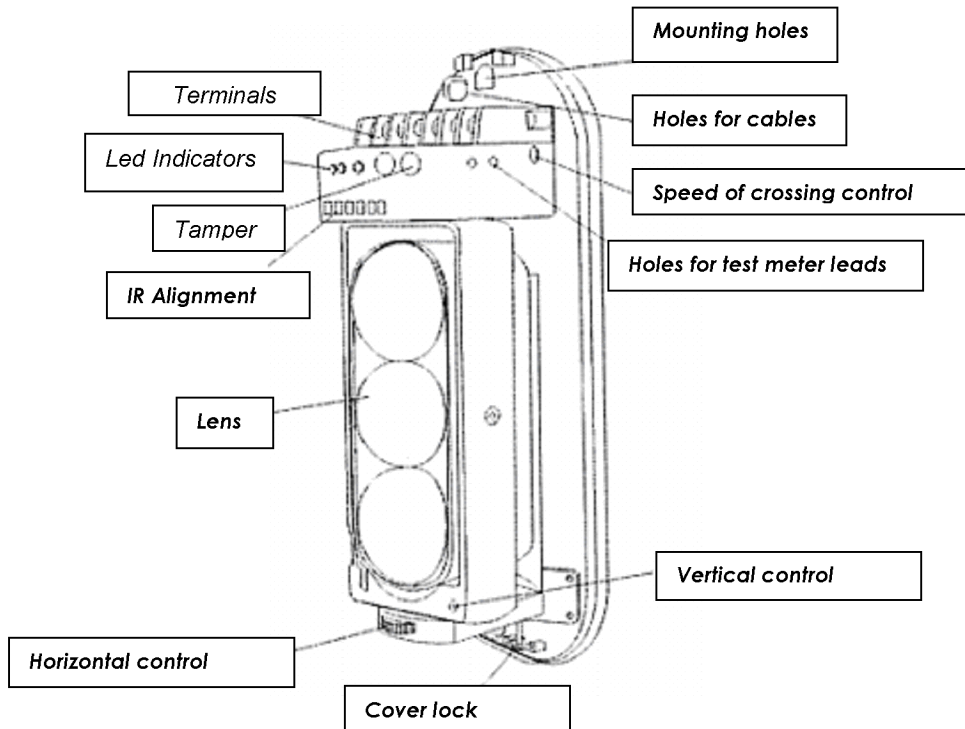
PIPS-100-3
PIPS-200-3

TRIPLE BEAM IR BARRIER

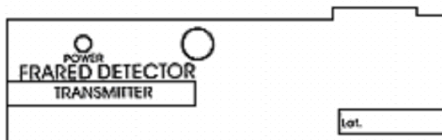
NOTE

This system is designed to detect an intrusion and activate an alarm, not to prevent the intrusion.
Incorrect use, incorrect installation or poor maintenance can be dangerous.
GPS Perimeter Systems Ltd. reserves the right to modify the information contained within this publication without prior notification.

1. DESCRIPTION

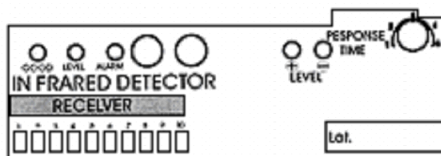


2. LED INDICATORS



Label on Transmitter

POWER = On green indicates power is present



Label on Receiver

GOOD = Green indicator on indicates correct IR beam alignment.

LEVEL = Red indicator indicates stable alignment of the barrier

LED SCALE 1 – 10 = The greater the number, the better the alignment (recommended ≥ 7 led).

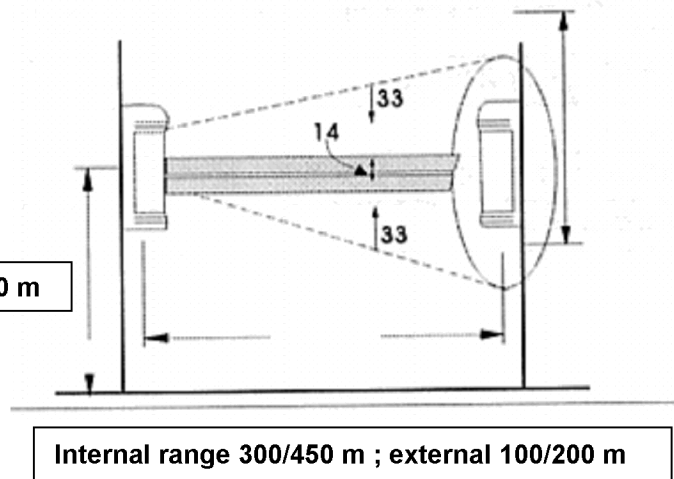
ALARM = Alarm indicator. On in alarm.

POWER = On green indicates power is present.

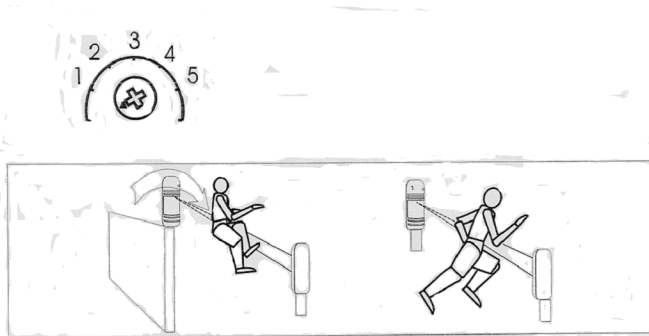
RESPONSE TIME = Trimmer for adjustment of crossing time.

3. INSTALLATION REQUIREMENTS

H installation : 0.70 – 1.00 m



4. CROSSING SPEED



Value	Crossing Speed
1	Fast run (6.9 m/sec)
2	Normal run (1.2 m/sec)
3	Fast Walk (0.7 m/sec)
4	Normal walk (0.3 m/sec)
5	Climb (0.5 m/sec)

5. CABLE CONNECTION AND DIMENSIONS

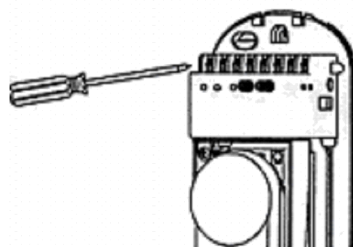
Inside both the transmitter and receiver there is a terminal block for cable connections:

1 = Free

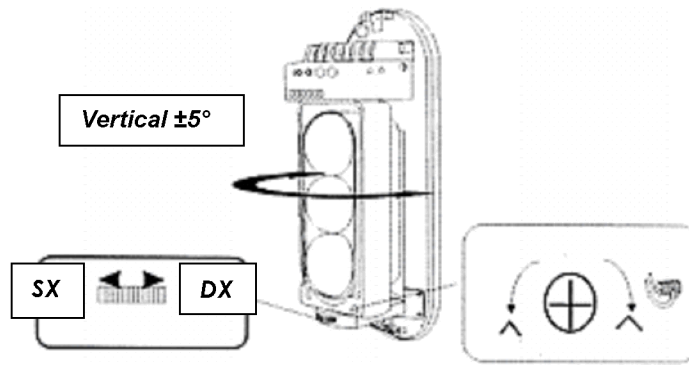
2 - 3 **POWER** = Power at 12/24Vdc or 11-18Vac

4 – 5- 6 **FREE(TX) ALARM(RX)** = Free on TX ; Voltage free alarm contact on RX

7- 8 = Tamper

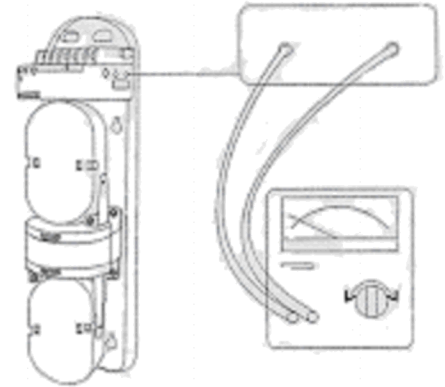


6. BEAM SETUP AND TEST



Cover the upper transmitter with a filter and then cover the lower transmitter.

The voltage reading for each transmitter must be between: 1.2 and 1.3 Vdc.



OBSERVE THE POLARITY

7. CHARACTERISTICS

Characteristics	Value
Type of Detector	Infrared beam
Range	PIPS-100 > Internal 300 m; External 100 m PIPS-200 > Internal 450 m; External 200 m
N° of IR beams	3
Crossing Time	Selectable via trimmer from 35 – 700 m/sec
Alarm Time	Approx 2 seconds
Alarm Relay	NC Contact 30V AC/DC 0.5 A
Tamper	NC Contact on cover
Adjustment	$\pm 5^\circ$ vertical and $\pm 90^\circ$ horizontal
Mounting	On a wall or on a post
Operating Temperature	From -25° to $+55^\circ$
Humidity Protection	Suitable for external use
Power Supply	13.8-24 Vdc or 11-18 Vac
Current Consumption	PIPS-100 = 80mA PIPS-200 = 90mA
Weight	800 mg
Dimensions	90 x 270 x 70 mm



GPS Perimeter Systems Ltd.

14 Low Farm Place
Moulton Park, Northampton,
NN3 6HY, UK

e-mail: info@gpsperimeter.co.uk Web Site: www.gpsperimeter.co.uk

Tel. +44 (0)1604 648344

Fax. +44 (0)1604 646097